

Application

YTPV-32 series Fuse Holder and Fuse is made of refractory material, which meets the standard of EN/IEC 60947-3 & 60269-6. The maximum rated voltage is 1000V and the maximum current is 32A. As a short circuit and over-current protector, it is widely used in the high and low voltage distribution system, control system, and electrical equipment, like distribution box and inverter.



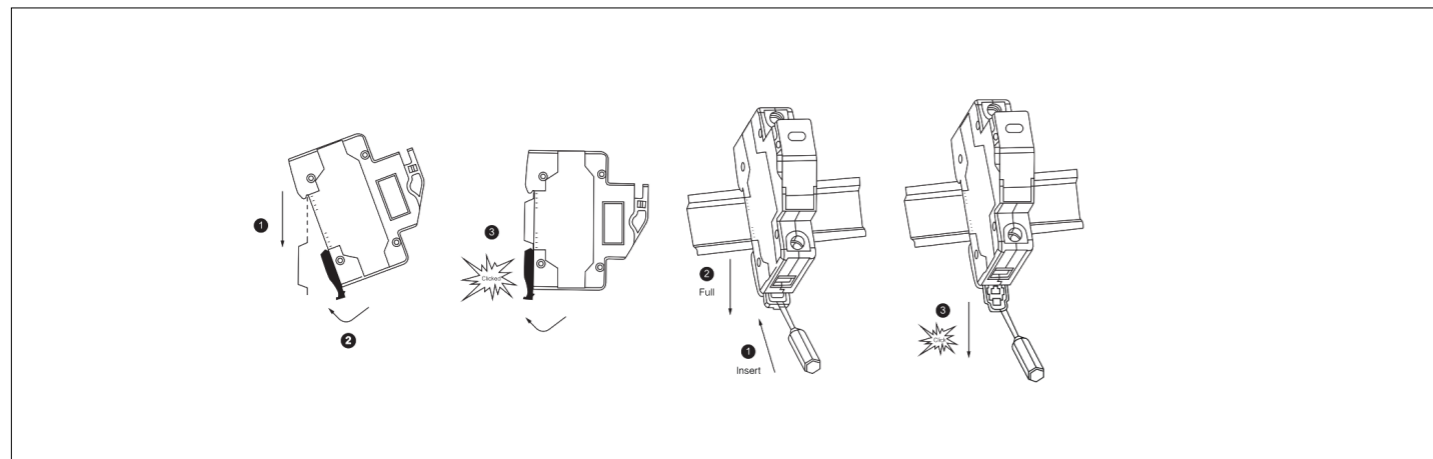
Specifications

Product Model	YTPV-32
Pole	1P, 2P, 3P, 4P
Colour	White
Rated Current (A)	1A, 2A, 3A, 4A, 5A, 6A, 8A, 10A, 12A, 15A, 20A, 25A, 30A, 32A
Rated Voltage(V DC)	1000
Installation	Rail installation
Fuse link size(mm ²)	10*38

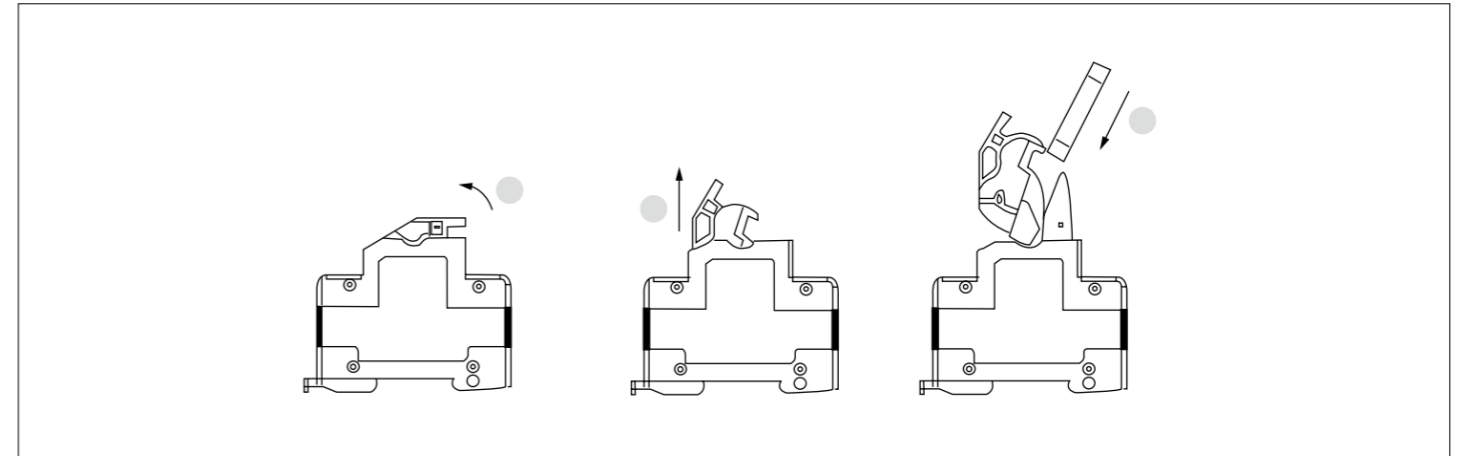
Features

1. Din35 Rail Installation, Easy to Install
2. Adjustable terminal block, Wiring firm
3. Fire-retardant shell, high temperature resistance
4. Flexible installation, Easy to replace

Installation



Replacement fuse



Dimension

